
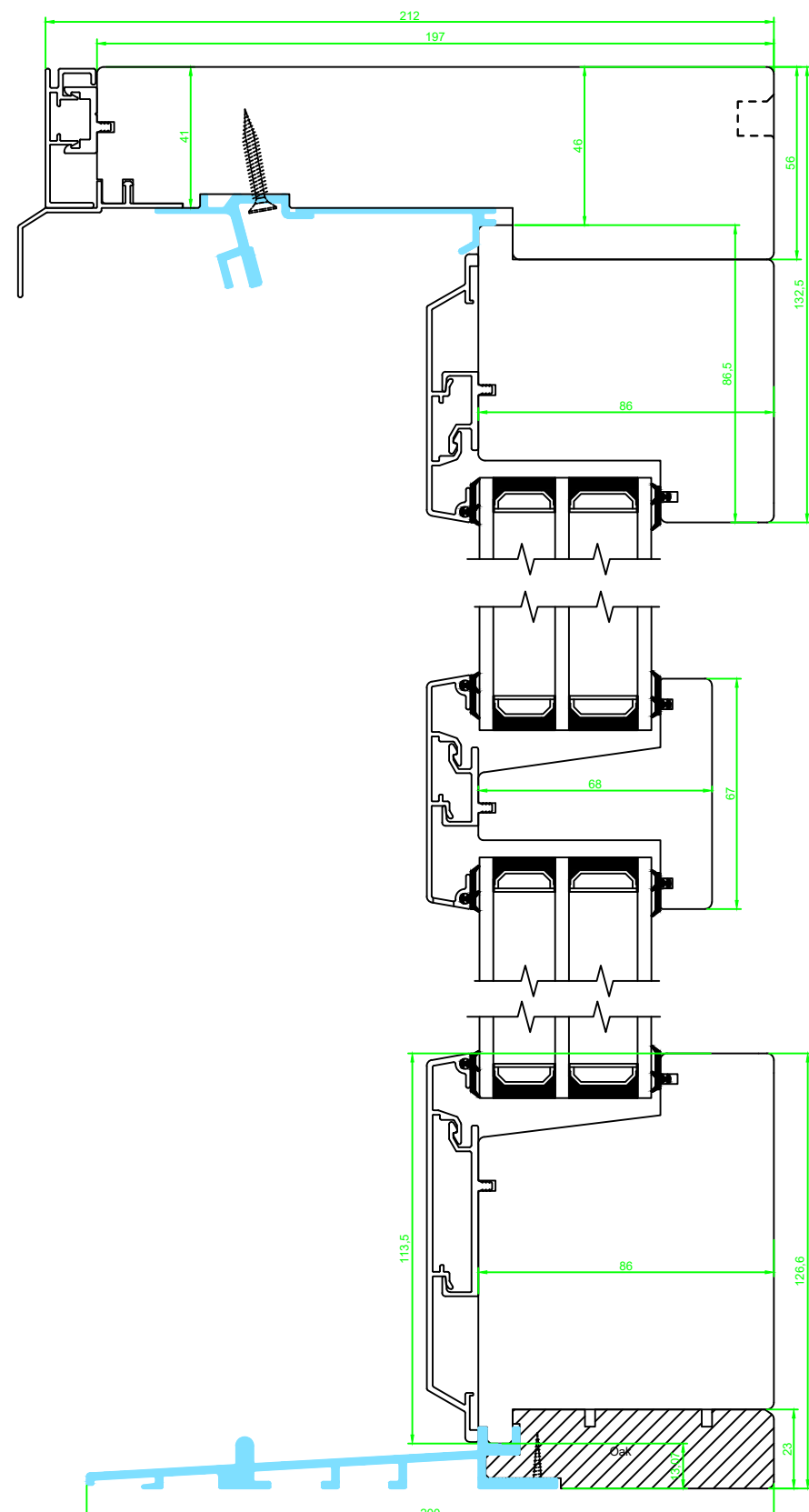
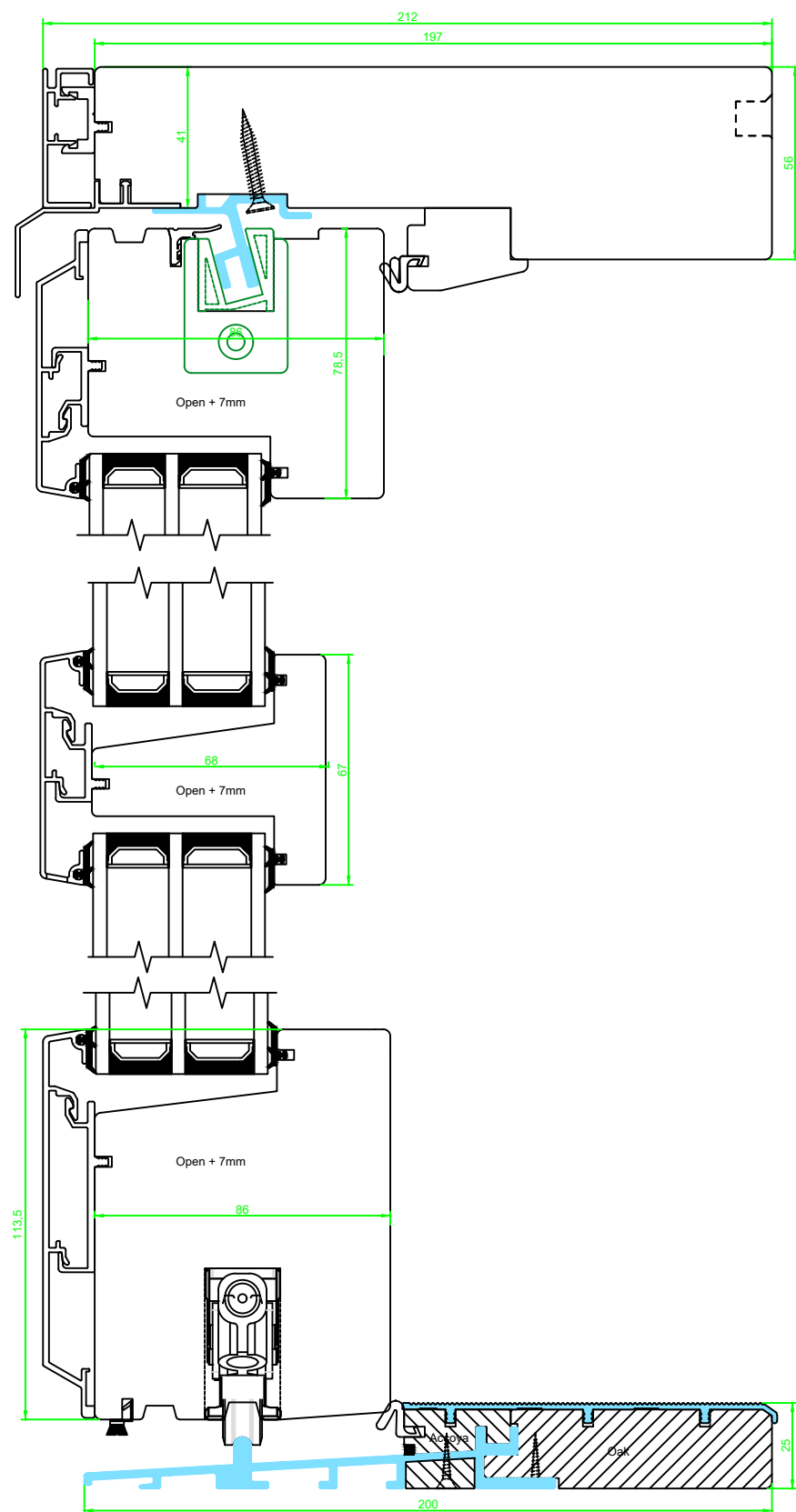
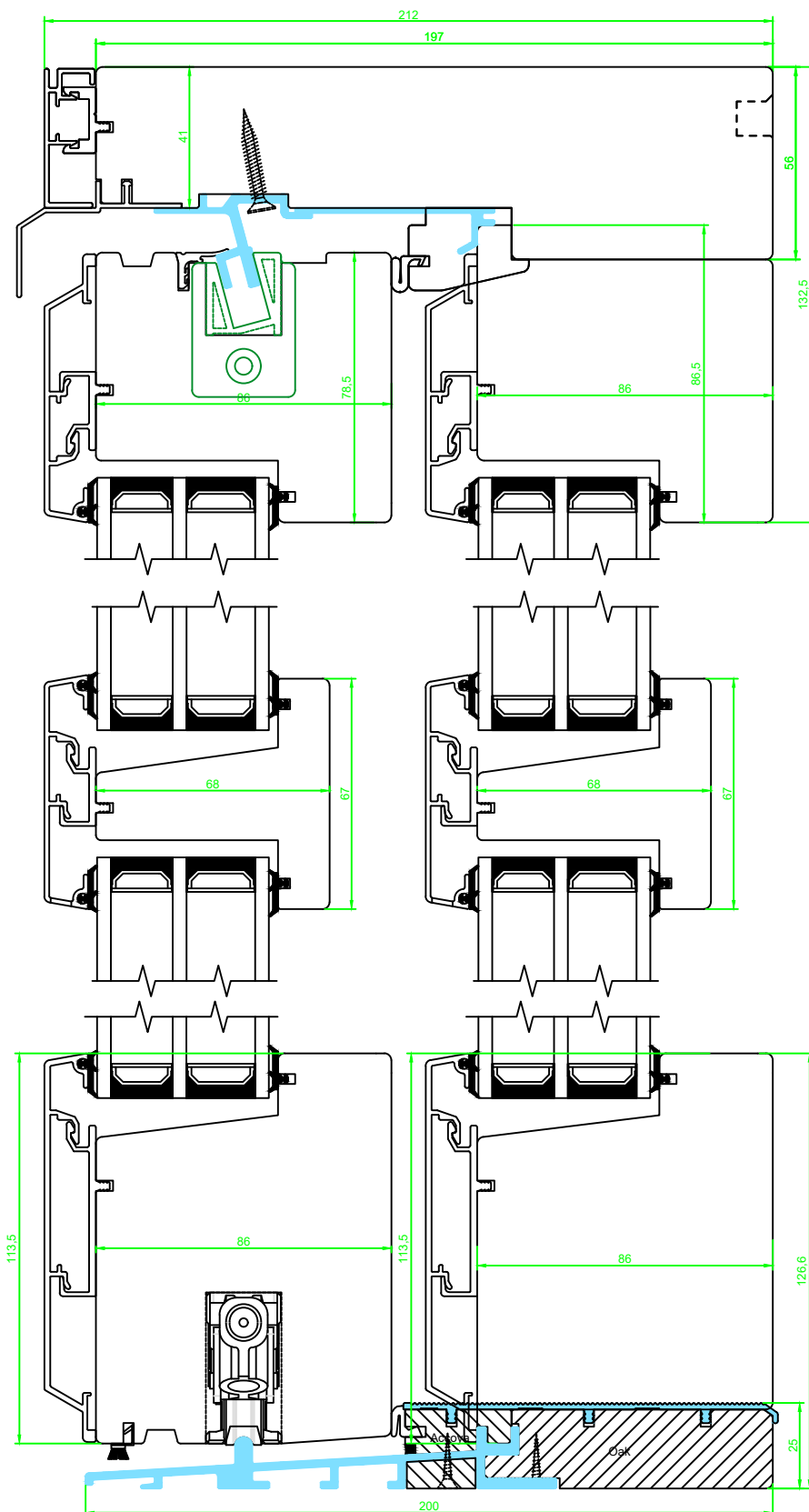

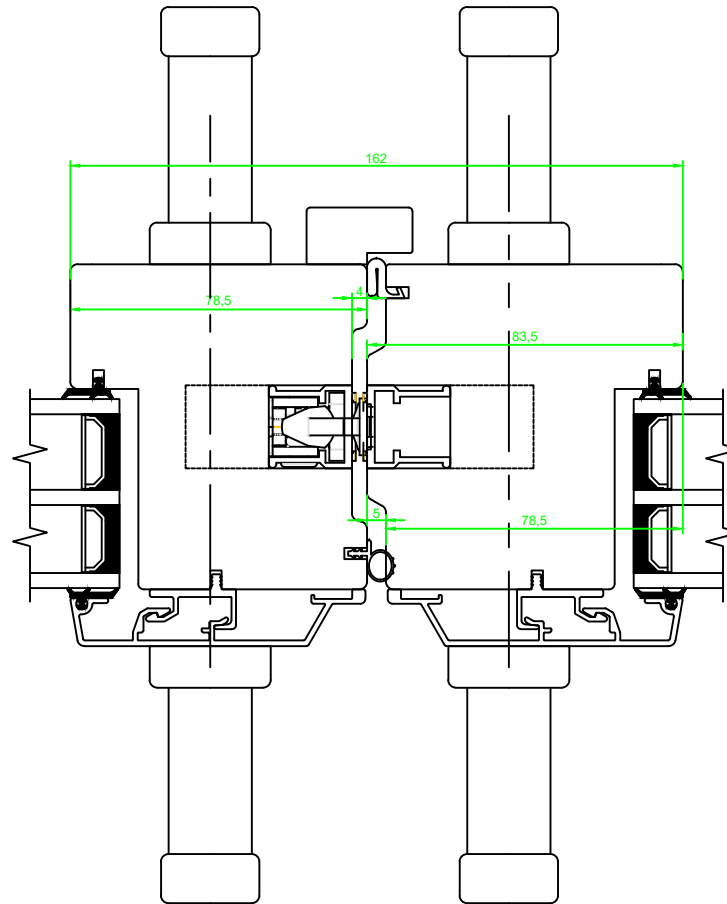



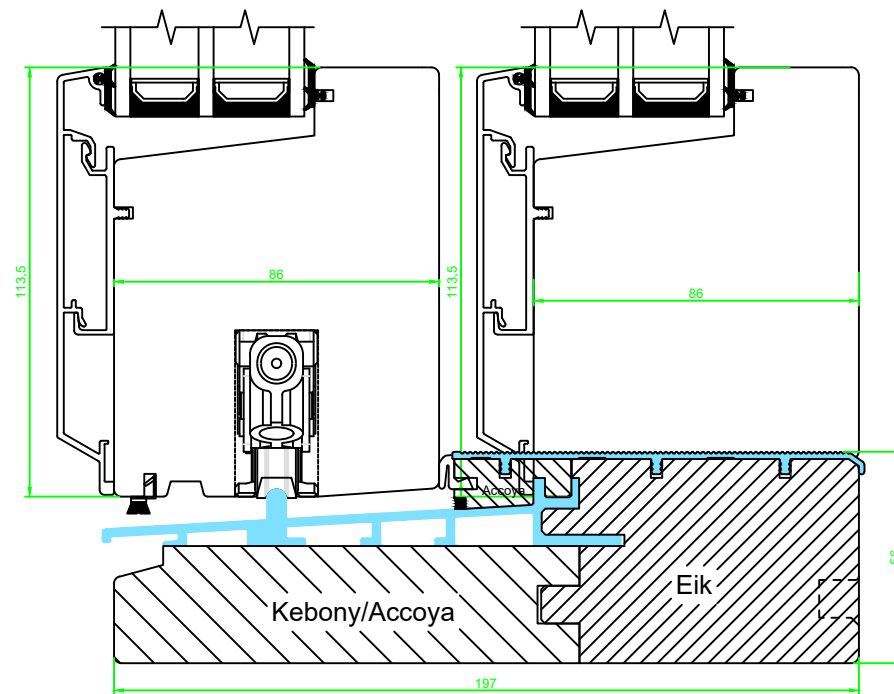
Date:	11.02.2021	Constr./draw:	EAO/EAO	Approved:	RSÆ	Scale:	A3 1:2	Review nr.:	1	Review date:	11.02.2021
Nordvest lift-slide door with full depth frame.						Section:	Horizontal	 <small>Nordvestvinduet AS N-6713 ALMENNINGEN Tel +47 57 85 25 80 firmapost@nordvestvinduet.no www.nordvestvinduet.no</small>			
						Part:	HSDA G50	Drawing nr.:			
						Design:	Trend	HSDA_G50_Hor			
Tolerance.: NS-ISO 2768-1-middels.											




Date:	11.02.2021	Constr./draw.:	EAO/EAO	Approved:	RSÆ	Scale:	A3 1:2	Review nr.:	1	Review date:	11.02.2021
Nordvest lift-slide door with full depth frame.						Section:	Vertical	 Nordvestvinduet AS N-6713 ALMENNINGEN Tel +47 57 85 25 80 firmapost@nordvestvinduet.no www.nordvestvinduet.no			
						Part:	HSDA G50				
						Design:	Trend				
Tolerance.: NS-ISO 2768-1-middels.						Drawing nr.:		HSDA_G50_Vert			



Date. 11.02.2021	Constr./draw. EAO/EAO	Approved. RS/Æ	Scale. A4 1:2	Review nr. 1	Review date 11.02.2021
Nordvest lift-slide door with full depth frame.			Section: Horizontal	 <small>Nordvestvinduet AS N-6713 ALMENNINGEN Tel +47 57 85 25 80 firmapost@nordvestvinduet.no www.nordvestvinduet.no</small>	
			Part: HSD4A		
Tolerance.: NS-ISO 2768-1-middels.			Design: Trend		



Date. 11.02.2021	Constr./draw. EAO/EAO	Approved. RSÆ	Scale. A4 1:2	Review nr. 1	Review date 11.02.2021
Nordvest lift-slide door with full depth frame.			Section: Vertical	 <small>Nordvestvinduet AS N-6713 ALMENNINGEN Tel +47 57 85 25 80 firmapost@nordvestvinduet.no www.nordvestvinduet.no</small>	
			Part: HSDA G50 T56		
Tolerance.: NS-ISO 2768-1-middels.			Design: Trend		